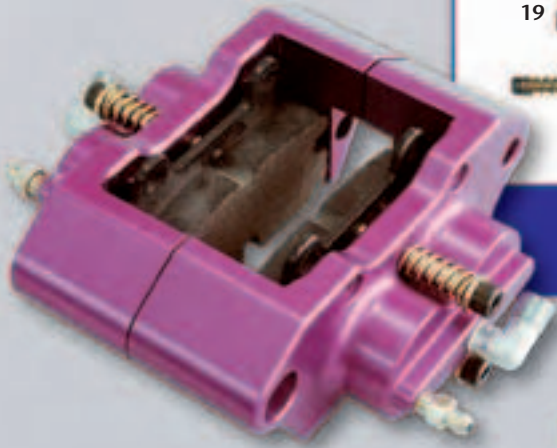
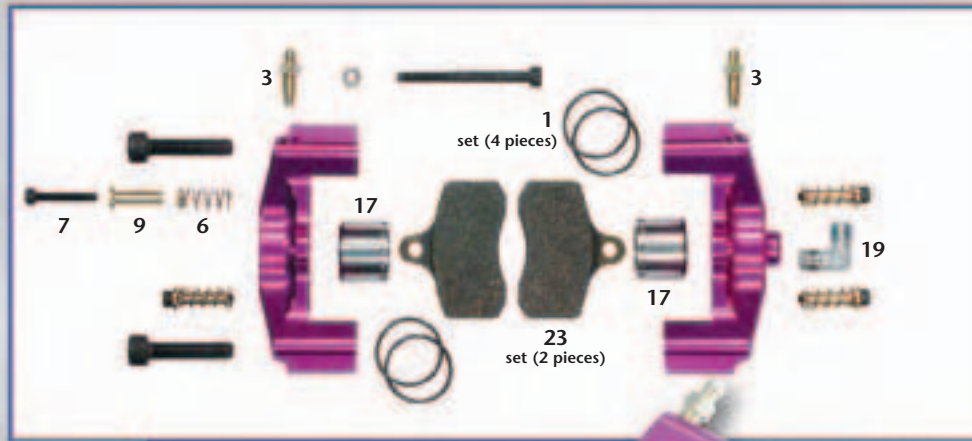


**4-Spot Hydraulic Brake Caliper**  
 •BDHC03• Purple anodised billet alloy



*Arrow are proud of our ground-breaking brake systems.*

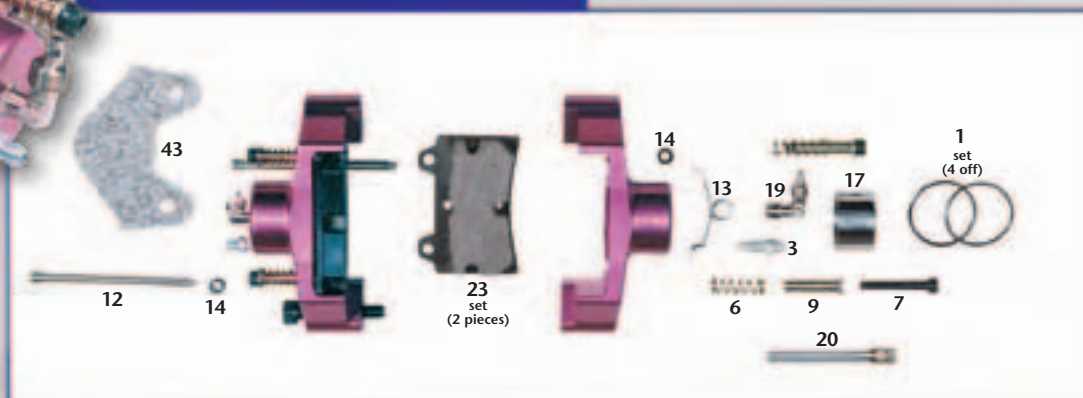
*Arrow's twin line design gives maximum consistency and control under all conditions, while the solid billet construction ensures perfectly even pad application and wear, resulting in longer pad life.*



**125cc Hydraulic Front Brake Caliper**  
 •BDHC03L• Left  
 •BDHC03R• Right

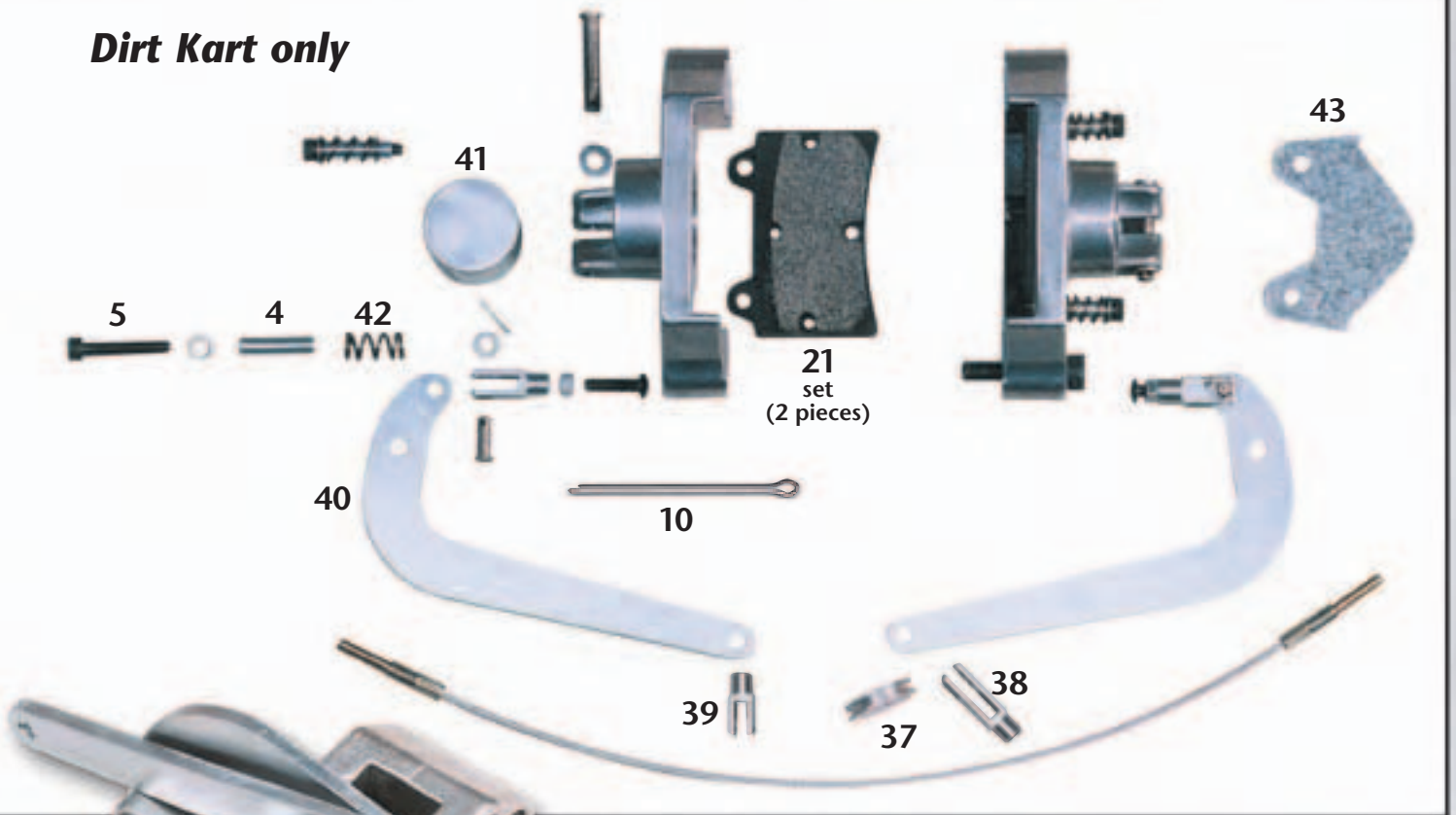


**Alloy 2-Spot Hydraulic Brake Caliper**  
 •BDHC02• Purple anodised billet alloy



# BRAKE SYSTEMS & parts

**Dirt Kart only**



## Arrow Mechanical Brake Caliper

•BDMC01• Includes clevis' and balance wheel



Numbered parts (in exploded diagrams only) are for easy cross referencing with DPE Price List. Consult Price List for complete listing of product codes, sizes etc.



## Arrow Brake Pads

A range of brake pad compounds to suit Arrow karts is available. Consult the listing below for your requirements.

- |                  |           |
|------------------|-----------|
| Soft, 12mm       | •BDHL2/1• |
| Hard, 12mm       | •BDHL5/1• |
| Extra hard, 12mm | •BDHL6/1• |
| Hard, 15mm       | •BDHL7/1• |
| 125cc front      | •BDHL8F•  |

# BRAKE DISCS & HUBS



Steel Rookie  
Brake Disc

•**BRDRO**•  
100mm ID, 195mm OD,  
5.5mm width



Brake Hubs – Billet Alloy

•**BRDH40DP**• purple 40mm  
Has both 6mm & 8mm keyways  
•**BRDH50**• purple 50mm  
Has 8mm keyway



'Radically Cool'  
Brake Disc

•**BRD18**•  
100mm ID, 205mm  
OD, 18mm width



Radial Vented  
Front Brake Disc

•**BRDFL**• left disc  
•**BRDFR**• right disc  
100mm ID, 160mm OD,  
10mm width

*Is there no stopping  
Arrow's innovation?*

*As well as manufacturing a range of discs and hubs to suit most karts and applications, we also produce our own legendary radial vented 'Radically Cool' Brake Disc •BRD18• (above). Its unique design and construction ensures you'll never have to worry about brake fade again – yet it weighs less than 1.0kg.*

*Match it to our striking Billet Alloy Brake Disc Hubs and you'll stop the opposition in their tracks every time!*

NOTE: P.C.D. of all discs and hubs is 114mm

# ARROW RACING

## Arrow Jacket

Stylish waterproof jacket with embroidery front and back. Available in sizes S-XXXXL

- DAJ01• 10    •DAJ02• 12    •DAJ03• 16
- DAJ1• S      •DAJ2• M      •DAJ3• L
- DAJ4• XL      •DAJ5• XXL
- DAJ6• XXXL
- DAJ7• XXXXL



## Arrow Cap

- DA09•

One size fits all, adjustable velcro strap

## Arrow Jeans

Unisex denim jeans. Available in sizes 26-40

- DJ26• 26    •DJ28• 28
- DJ30• 30    •DJ32• 32
- DJ34• 34    •DJ36• 36
- DJ38• 38    •DJ40• 40



## Arrow Umbrella

- DAUM•

Large size with screenprinted logos



## Arrow Sports Bag

- DAASB•

Large enough to carry all your gear

# RACEWEAR

*Arrow's range of racewear is second to none. Whether you're on the track or off, you can look and feel your best in Arrow racewear. From Race Suits through to Casual Wear, Umbrellas and Sports Bags, Arrow has the answer.*



## Arrow Team Shirt

Dress shirt with full embroidery. Available in sizes 8,12,XS-XXL.

- DAS1• 8 •DAS2• 12
- DAS3• XS •DAS4• S
- DAS5• M •DAS6• L
- DAS7• XL •DAS8• XXL



## Arrow T-Shirt

Screenprinted cotton T-Shirt. Available in sizes XS-XXL.

- DAT1• XS •DAT2• S •DAT3• M
- DAT4• L •DAT5• XL •DAT6• XXL



## Arrow Race Suit

Top quality Cordura suit with full Arrow embroidery. Available in sizes 38-62.

- DATS1• 38 •DATS2• 42 •DATS3• 46
- DATS4• 48 •DATS5• 50 •DATS5A• 52
- DATS6• 54 •DATS6A• 56 •DATS7• 58
- DATS8• 60 •DATS9• 62

# BADGES & STICKERS

## Arrow Vinyl Stickers

•KST35• Arrow 'A'

•KST35S• Arrow 'A'

•KST38S• 130mm

•KST38• 140mm



•KST36• Sticker Set  
6 x 56x18mm, 3 x 110x30mm



•KST39• 275mm

•KST39S• 300mm

•KST40• 750mm  
'Arrow Racing Karts'



## Arrow AX8 Kart Stickers

SIDEPODS (left):

•KST65L• Senior

•KST70L• Junior/Midget



•KST60• Embossed Floortray Sticker



SIDEPODS (right):

•KST65R• Senior

•KST70R• Junior/Midget



•KST64• AX8 Fuel Tank



•KST68• Nosecone Set



•KST69• Nassa Panel Set

## Arrow Embroidered Badges

Arrow Badge

•DBAL1• 310x80mm



Arrow 'A' Arm Badge

•DBAAL• left

•DBAAR• right

# TROLLEYS STANDS & Kart covers

Every racer knows the importance of keeping their kart clean and in good condition. Kartech & MiR kart covers protect karts from the elements, while the trolleys and stands make working on karts and transportation easy.



**Kartech  
Kart Cover**

•K06•

Silver waterproof, inc. carry bag. Universal size fits most karts.



**Kart Stand/Trolley**

Mobile kart stand & trolley to suit most karts.  
Folds flat for easy storage and transport.

•K03• (complete)

•K02• (bare, without wheels)

•K04• (wheel & tyre)

**Kart Push Starter**

•K10•

The safest and most convenient way to push start karts. Simply place rear of kart on trolley, push, then flick the lever to drop the kart onto the ground, and it's away!

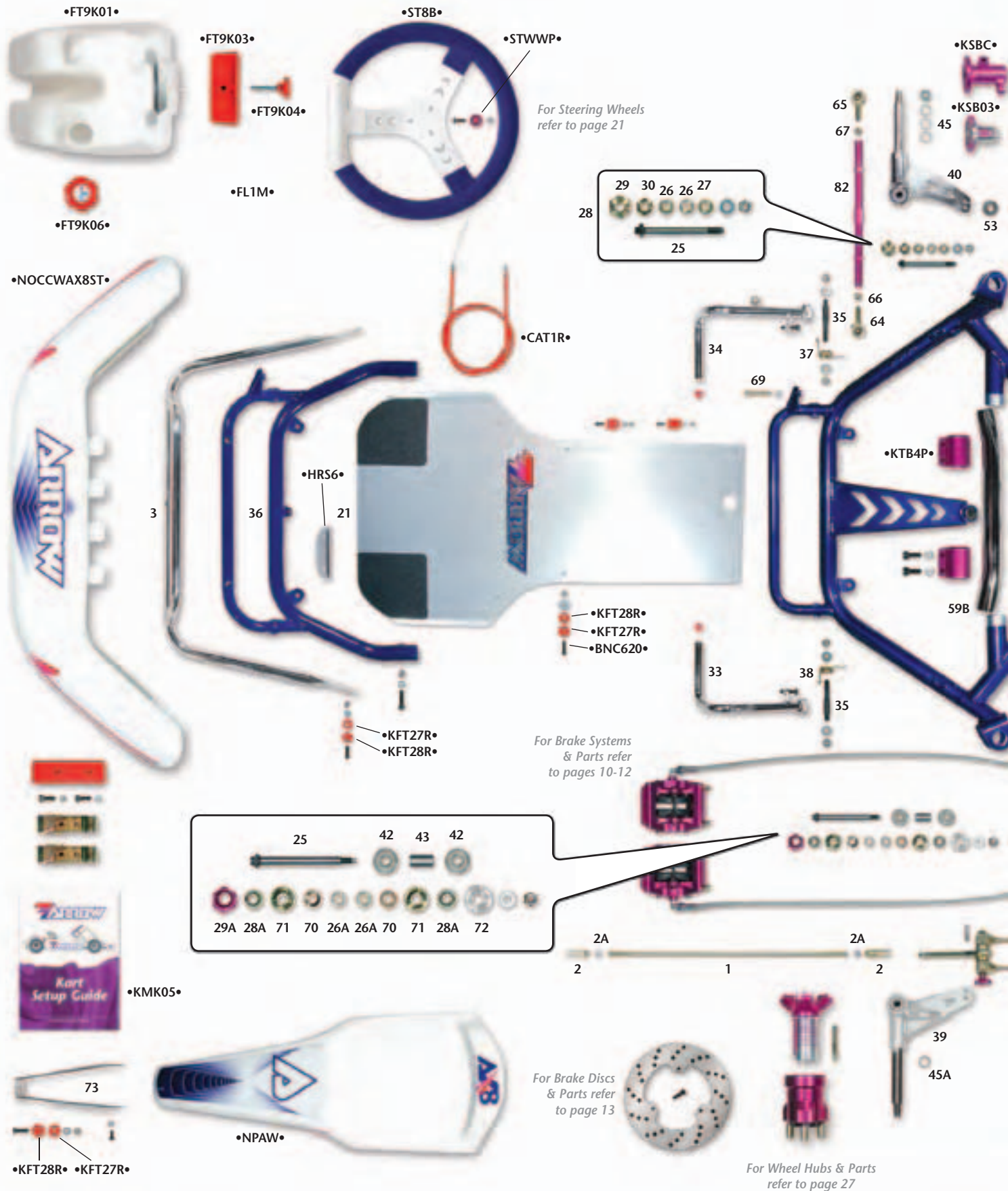


**Kart Stand**

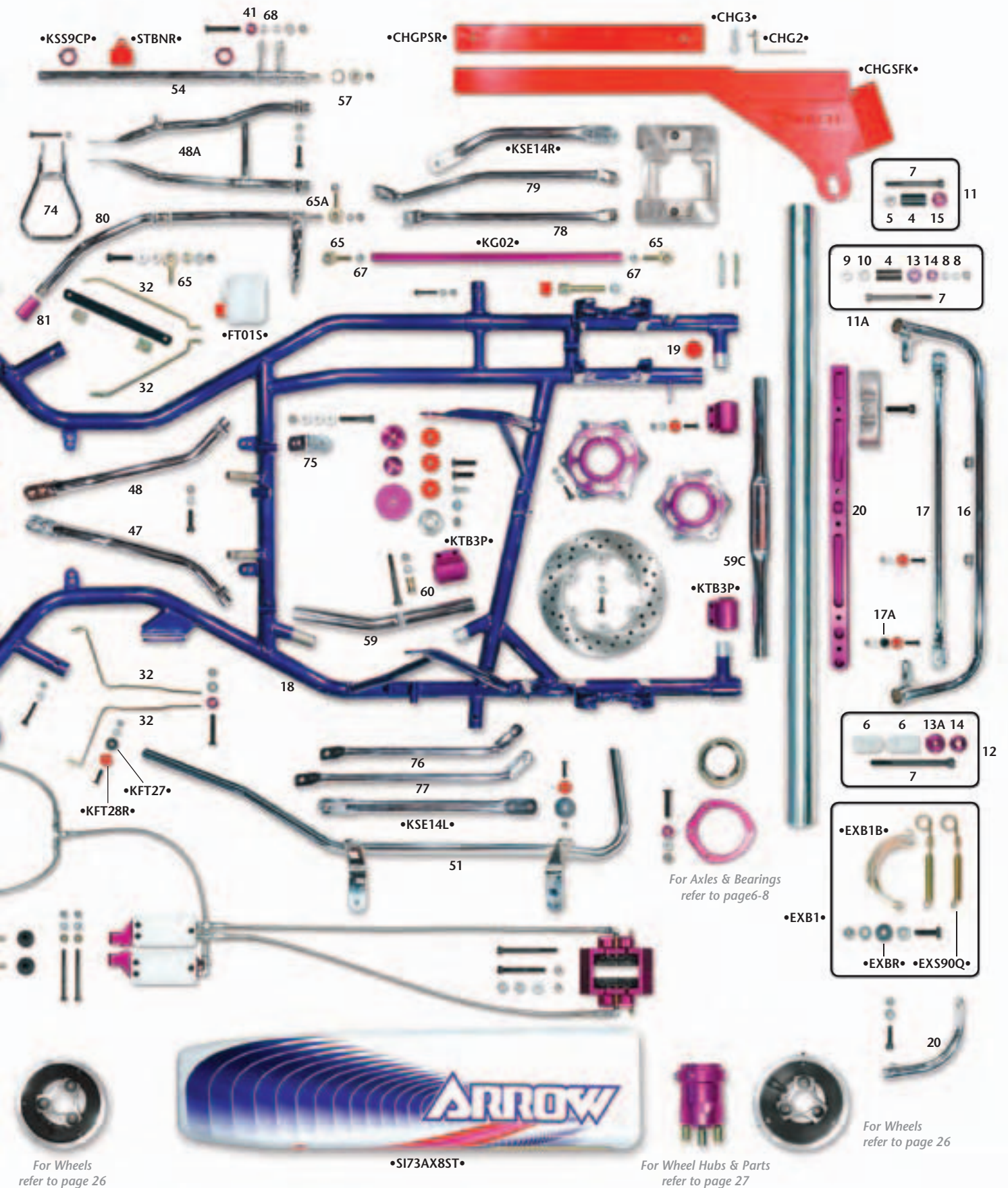
•K01•

Static kart stand to suit most karts.  
Folds flat for easy storage.





# S COMPONENTS



# SPROCKET HUBS

*Arrow is always 'GEARED' to your needs.*

*So, no matter what sprocket hubs or associated equipment you need, we are sure to have it.*



## Sprocket Hubs – Purple Billet Alloy

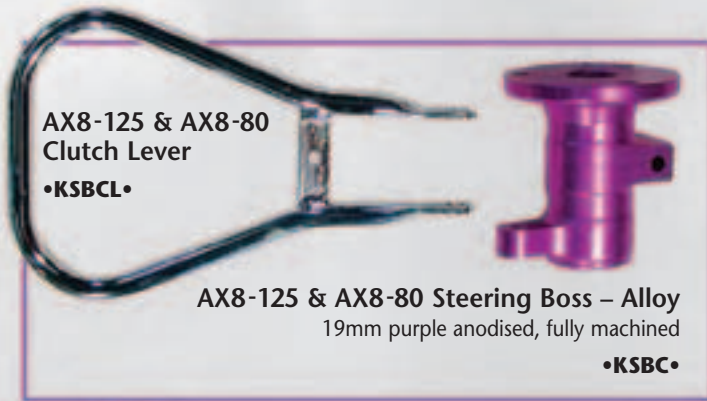
Manufactured from premium quality alloy, and heat treated for added strength

Available to suit 40mm & 50mm axles

Locating diameter: 116mm. PCD: 134mm. Keyway: 8mm

•SPH40DP• 40mm      •SPH50• 50mm





AX8-125 & AX8-80  
Clutch Lever  
•KSBC•

AX8-125 & AX8-80 Steering Boss – Alloy  
19mm purple anodised, fully machined  
•KSBC•



Steering Shaft Bushes  
•STBNR• (red nylon)  
19mm bore



6mm Washers  
•STWWP• (purple)



Steering Shaft Lock Collars  
19mm anodised purple, inc. 2 grub screws  
•KSS9CP•



Steering Boss – Alloy  
•KSBO3•  
19mm purple, fully machined

# STEERING WHEELS



Arrow Steering Wheel

•ST8B•

Dark blue suede ultralight with white flat top and embroidered Arrow logo  
Weight: 480g Diameter: 305mm

### Caster/Camber Adjuster Spanner Set

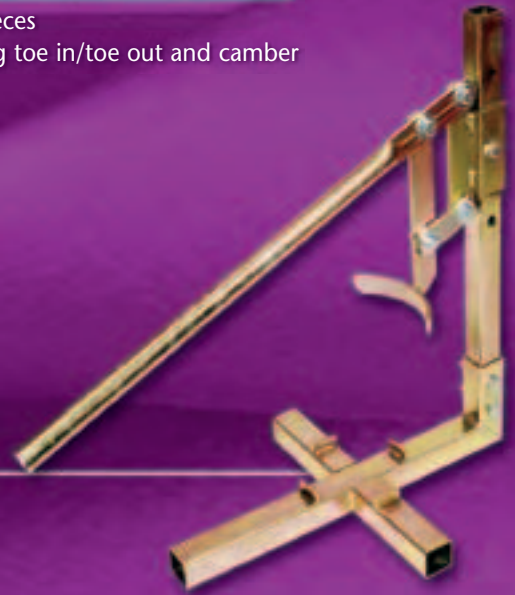
•T24• 2 pieces  
For use with Arrow AX8-28/30 & AX8-30/32 karts

•T24AX8• 1 piece  
For use with Arrow AX8-125 & AX8-CIK karts



### Front End Alignment Plates

•T10• 2 pieces  
For checking toe in/toe out and camber



### Tyre Bead Breaker

•T21•  
Quickly and effortlessly releases tyre bead from 5" & 6" front & rear wheels

### Tyre Changing Tool Set

•T23•  
Includes lever & disc. You'll wonder how you ever survived without this fabulous tool. No more skinned and bruised knuckles – removes and refits tyres in seconds



### Tyre Inflation Ring

•T22A•  
Allows easy tyre fitment, and eliminates damage to tyres due to overinflation